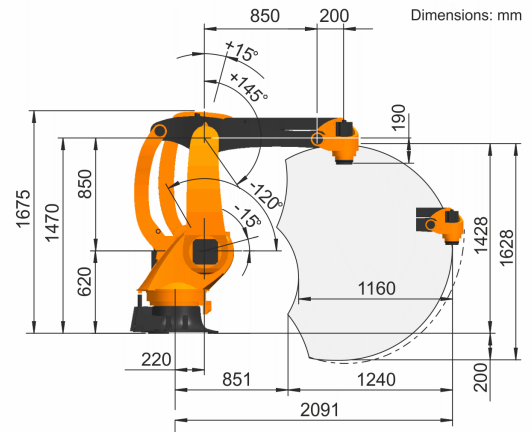




KR 40 PA



Workspace graphic



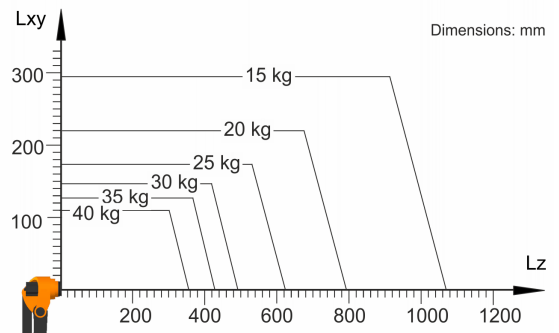
Technical data

Maximum reach	2091 mm
Rated payload	40 kg
Rated supplementary load, rotating column / link arm / arm	0 kg / 0 kg / 20 kg
Rated total load	60 kg
Pose repeatability (ISO 9283)	± 0.05 mm
Number of axes	4
Mounting position	Floor
Footprint	950 mm x 850 mm
Weight	approx. 695 kg

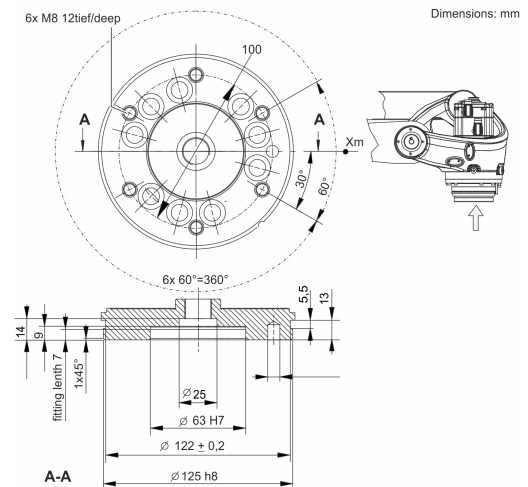
Axis data

Motion range	
A1	±155 °
A2	-120 ° / -15 °
A3	145 ° / 15 °
A4	-
A5	-
A6	±350 °
Speed with rated payload	
A1	183 °/s
A2	153 °/s
A3	212 °/s
A4	-
A5	-
A6	374 °/s

Payload diagram



Mounting flange



Operating conditions

Ambient temperature during operation: 0 °C to 55 °C (273 K to 328 K)

Protection rating

Protection rating (IEC 60529)	IP65
Protection rating, robot wrist (IEC 60529)	IP65

Controller

Controller	KR C5; KR C4
------------	-----------------